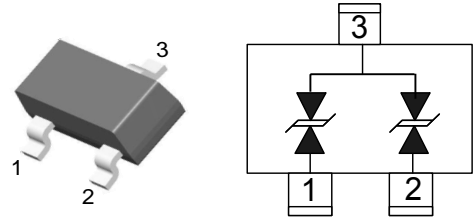


ESD TVS Array in SOT-23

Features

- 300Watts peak pulse power ($t_p = 8/20\mu s$)
- Tiny SOT-23 package
- Bidirectional configurations
- Protects one I/O port
- Low clamping voltage
- Low Leakage current
- ESD-immunity acc. IEC 61000-4-2 $\pm 30kV$ contact $\pm 30kV$ air
- IEC 61000-4-4 (EFT) 40A (5/50ns)
- IEC 61000-4-5 (Lightning) 5A (8/20 μs)
- AEC-Q101 Qualified



Mechanical Data

- **Case:** SOT-23 (plastic package).
Lead free; RoHS compliant; Halogen free
- **Molding Compound Flammability Rating:**
UL 94 V-0
- **Terminals:** High temperature soldering guaranteed:
260 °C/10 sec. at terminals

Applications

- Cellular Handsets and Accessories
- RS-232, RS-422 & RS-485
- Control & Monitoring Systems
- Set-Top Box
- Portable Electronics
- Other electronics equipments Communication systems

Absolute Maximum Ratings

Ratings at 25 °C, ambient temperature unless otherwise specified

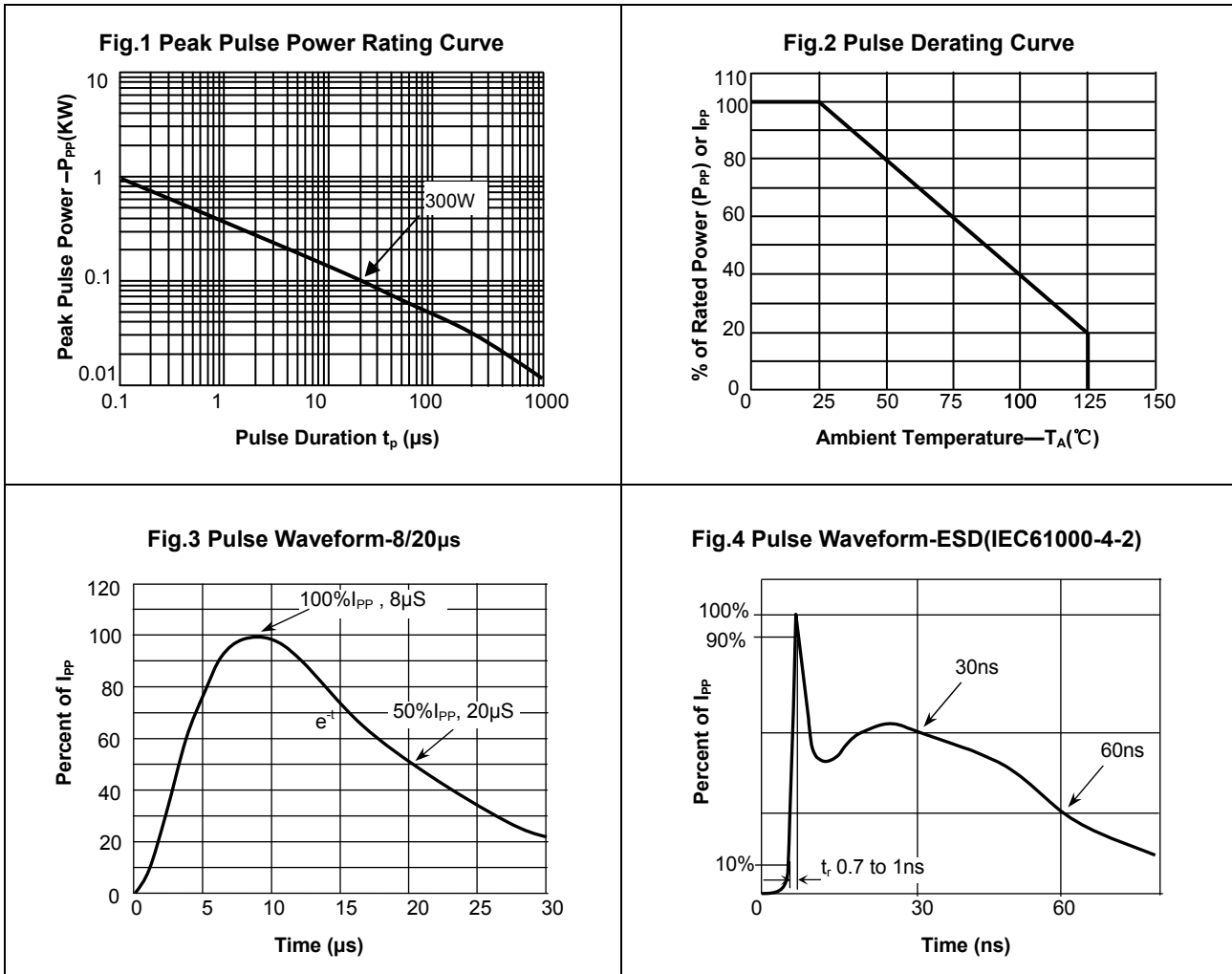
Parameter	Symbol	Value	Unit
ESD Air Discharge per IEC 61000-4-2	V_{ESD}	± 30	kV
ESD Contact Discharge per IEC 61000-4-2	V_{ESD}	± 30	kV
Peak pulse power 8/20 μs waveform	P_{PPM}	300	W
Peak pulse current 8/20 μs waveform	I_{PPM}	5	A
Operating Temperature	T_J	- 55 to + 150	°C
Storage Temperature	T_{STG}	- 55 to + 150	°C

Electrical Characteristics

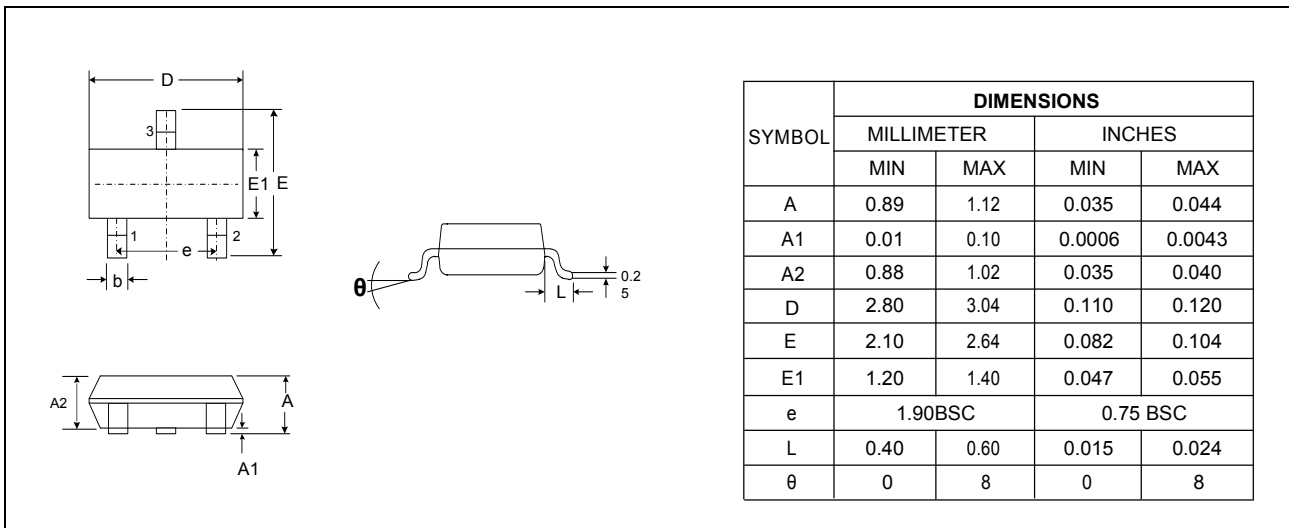
($T_A = 25$ °C unless otherwise specified)

Parameter	Test Conditions	Symbol	Min.	Typ.	Max.	Unit
Reverse Stand-Off Voltage		V_{RWM}			36	V
Max. Reverse current	at $V_R = 36$ V	I_R			0.5	μA
Max. Clamping voltage	at $I_{PP} = 5$ A, Acc. IEC 61000-4-5	V_C		60		V
Min. Reverse Breakdown Voltage	at $I_R = 1$ mA	V_{BR}	40			V
Capacitance	at $V_R = 0$ V ; $f = 1$ MHz	C_D		15		pF

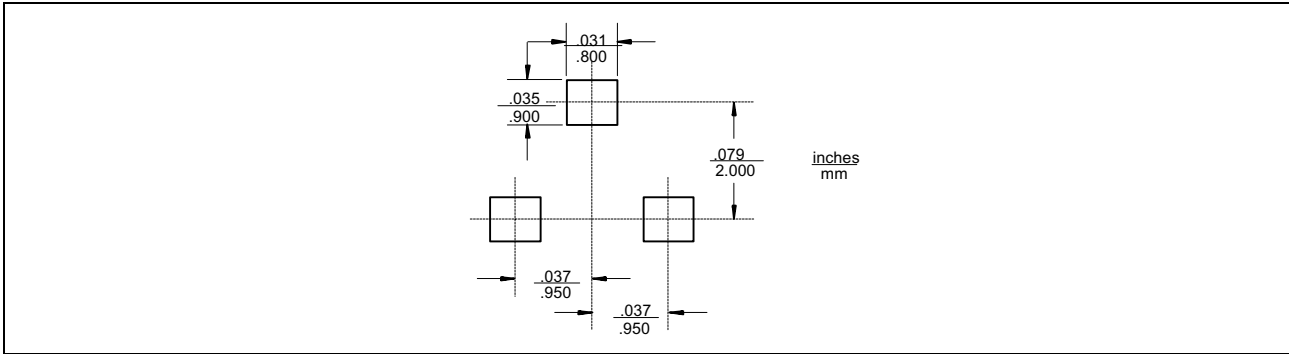
Typical Characteristics ($T_{amb} = 25\text{ }^{\circ}\text{C}$ unless otherwise specified)



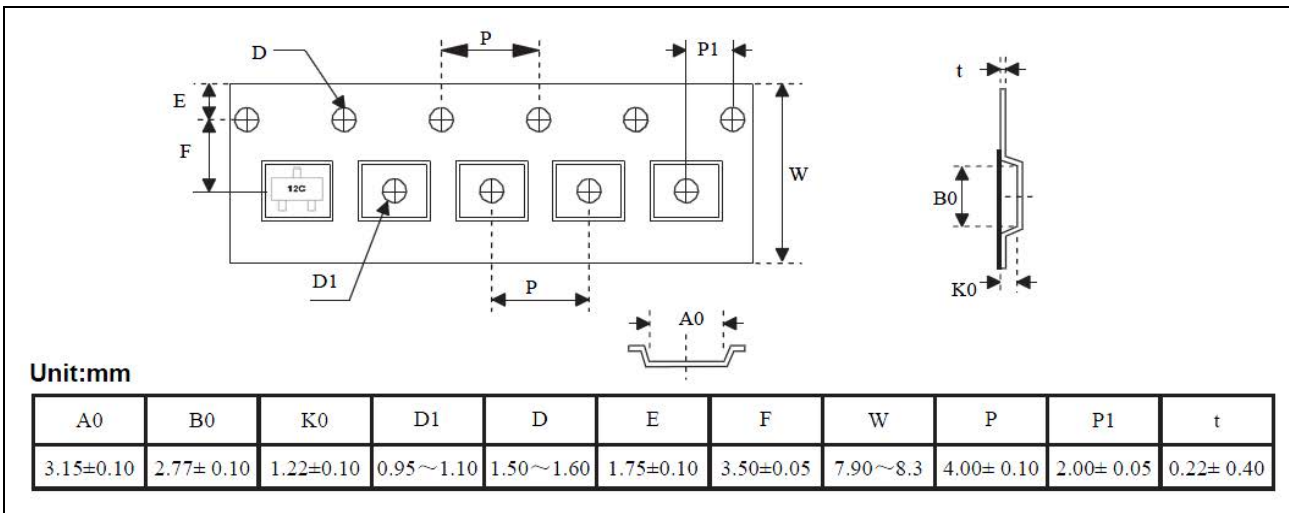
Package Dimensions



Pad Dimensions



Pad Dimensions



Marking



Ordering information

Order code	Package	Packaging option	Base quantity	Packaging specification
FTR3615PBT23-AR	SOT-23	Tape and reel	3000pcs / reel	EIA STD RS-481

Revision history

Date	Revision	Changes
23-May-2012	1.0	Initial release